



fapim

Fapim s.p.a.
Via delle Cerbaie, 114
55011 Altopascio (LU) Italia
Tel. ++39 0583 - 2601 Fax ++39 0583 -25291
<http://www.fapim.it> e-mail: info@fapim.it

fapim
BENELUX

Fapim Benelux s.p.r.l.
Avenue Rue St. Roch, 17 7712
Herseaux Belgium
Tel. ++32 - 56 - 340548 Fax ++32 - 56 - 341960
e-mail: info@fapimbenelux.be

fapim
POLSKA

Fapim Polska Sp.zo.o.
J. Pilsudskiego 200
05-270 Marki Polonia
Tel. ++48 227813797 Fax: ++48 227811022
e-mail: info@fapim.pl

fapim
HISPANIA

Fapim Hispania S.L.
C/Edison, esq Ingeniero
Goicoechea, 74 Poligono Industrial Torrehierro
Talavera De La Reina (TOLEDO)
Tlfn.: ++34 925 - 828357 Fax: ++34 925 - 841148
administracion@fapimhispania.com
pedidos@fapimhispania.com

fapim
MIDDLE EAST

Fapim MIDDLE EST FZE
Post Box No. 120814, Q3-131, Sharjah International
Airport Freezone (SAIF ZONE) Sharjah United Arab Emirates
Tel No.: 06-5578210 Fax No. 06-5578211
fapim@emirates.net.ae

fapim
RUSSIA

Fapim Ru LLC
249010, Dom 33, Kievskoe Shosse,
Obninsk, Kaluga region Russian Federation
Tel.: +79163116480

fapim
UKRAINA

Fapim Ukraina LLC
Kievskaya street 89, Gurovschina,
Kievo-Svyatoshinskiy region, Kievskaya oblast, Ukraina
Tel.: +380503312323

DOMATIC

Domatic s.r.l.
Via Chimenti
55011 Altopascio (LU) Italia
Tel. ++39 0583 - 216603 Fax ++39 0583 -216604
<http://www.domatic.it> e-mail: info@domatic.it

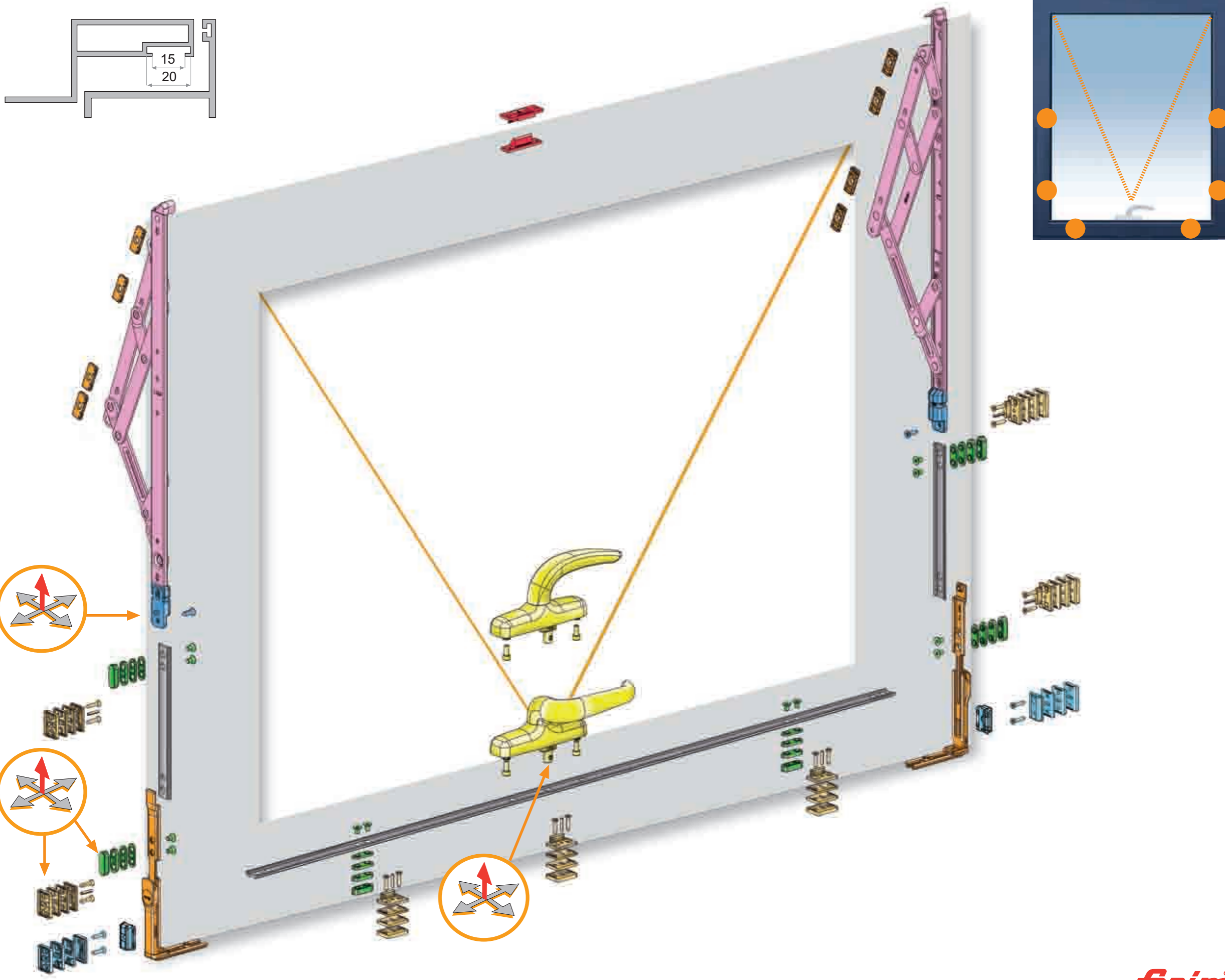
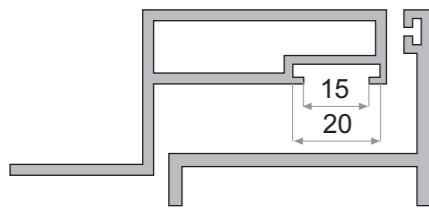


CURTAIN WALL SYSTEM



fapim[®]
www.fapim.it

CURTAIN WALL SYSTEM



Art.	Color
0770	Yellow
0771	White
0770AD	White
0771AD	White
0770AS	White
0771AS	White
1515B	Orange
1595	Light Orange
1598C	Teal
1613	Light Blue
3250C 3250D 3250F 3250H	Pink
3255	Dark Blue
3256	Orange
3527	Red



0770



0771



0770AD



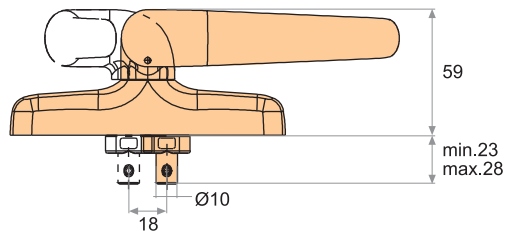
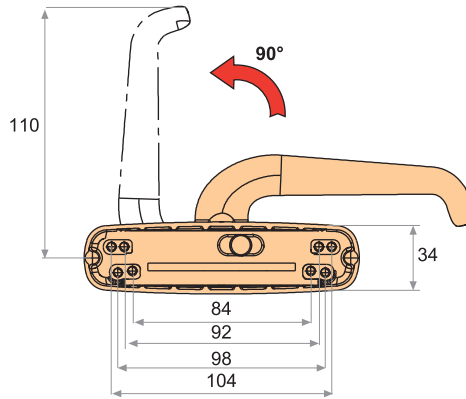
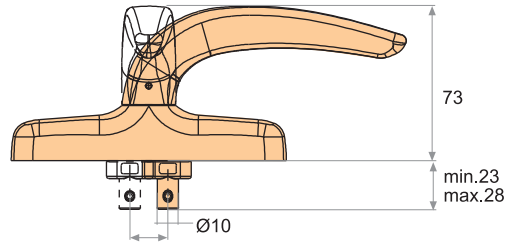
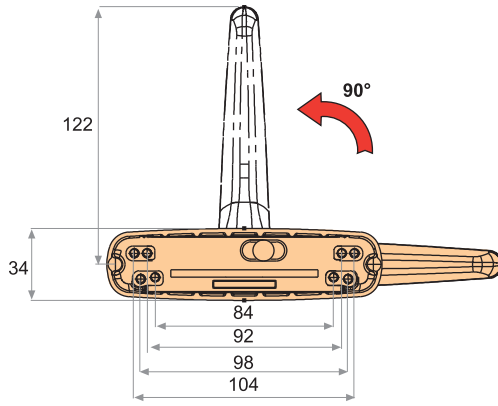
0771AD



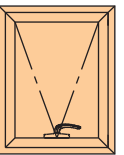
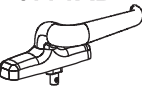
0770AS



0771AS

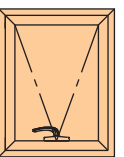
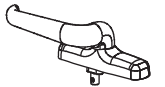


**0770AD
0771AD**

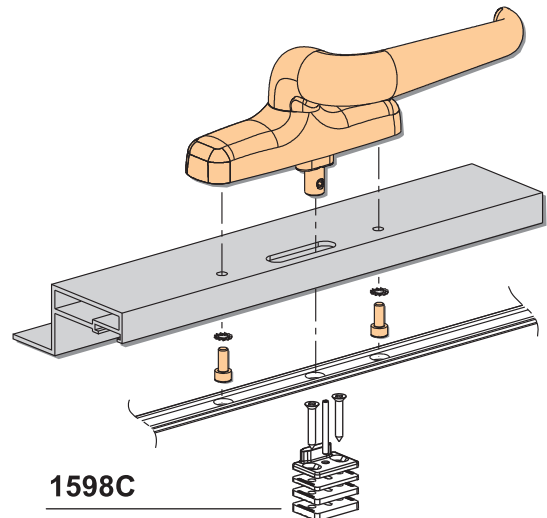
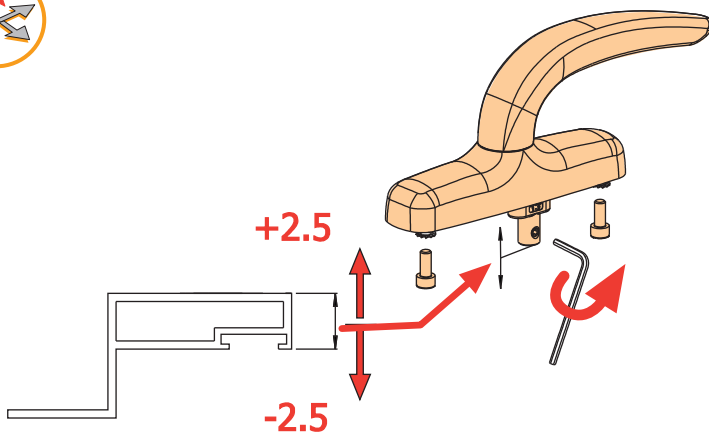


DX

**0770AS
0771AS**



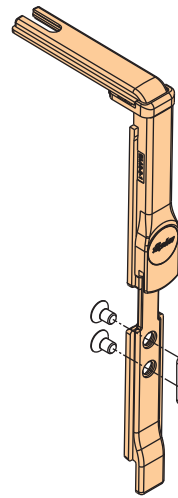
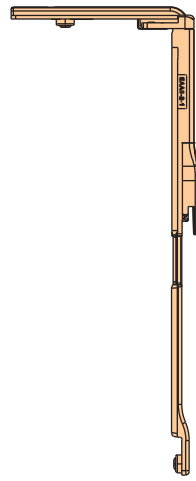
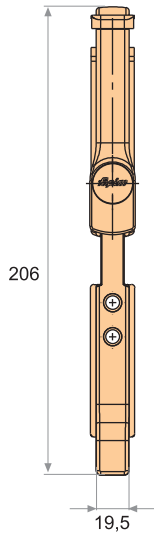
SX



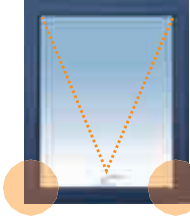
1598C



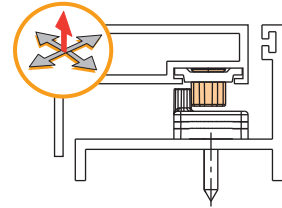
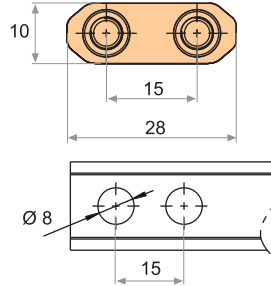
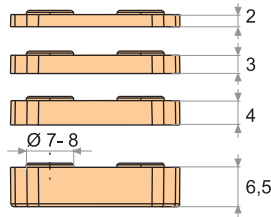
1515B



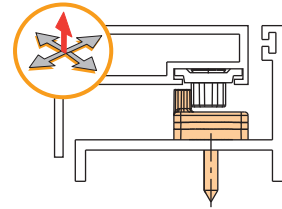
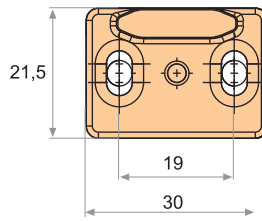
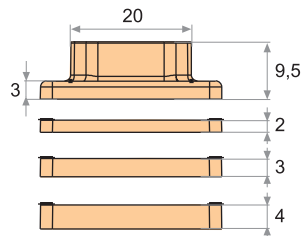
1595



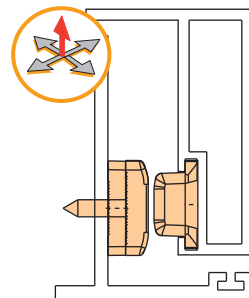
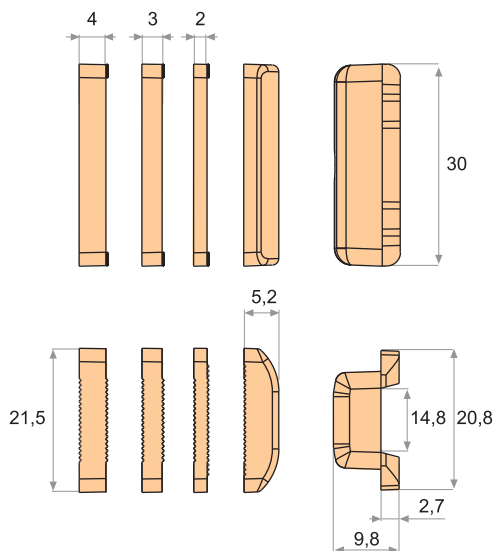
1595

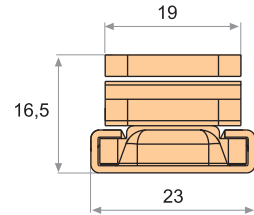
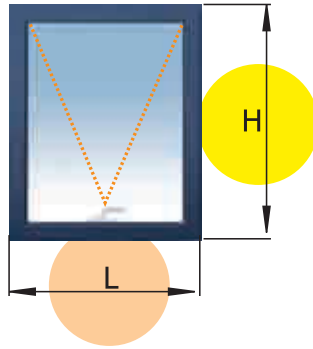
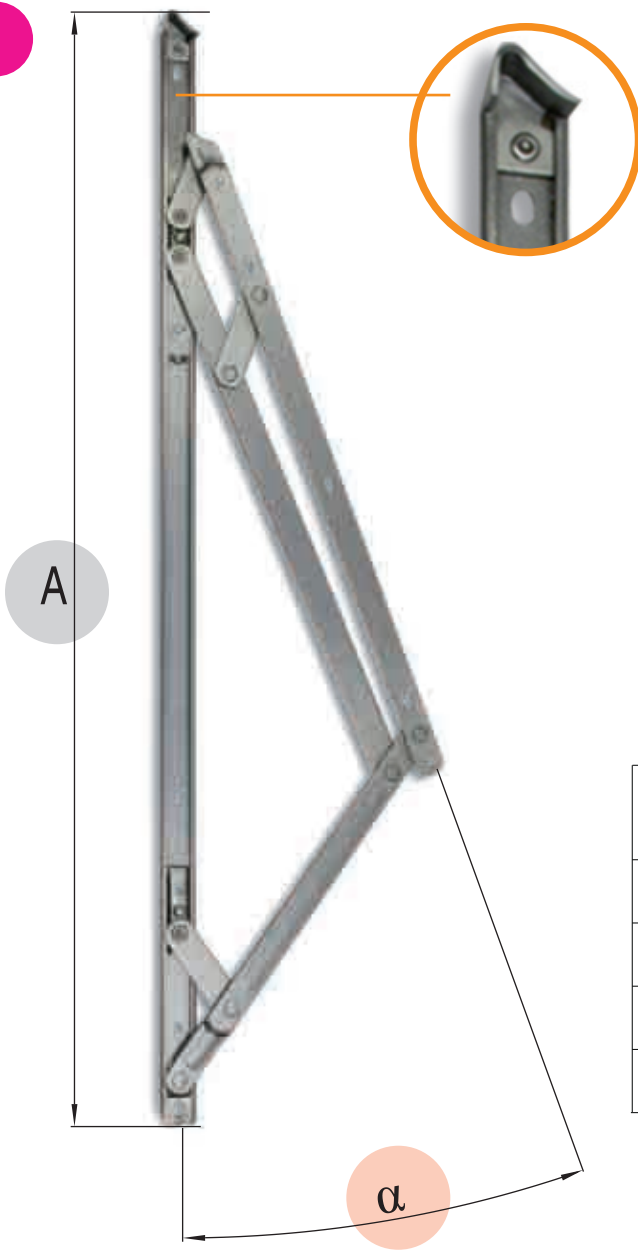


1598C



1613

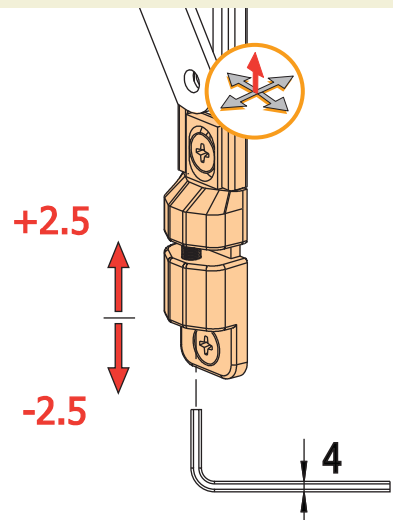
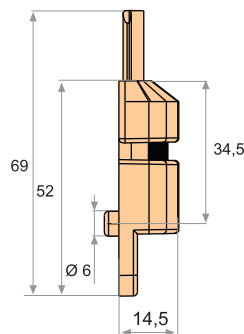
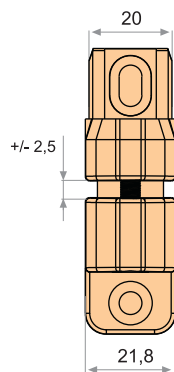




ART.	A	H min-max mm	L max mm	α	W max Kg
3250C	18" 457mm	1200 / 1400	1500	25°/30°	108/100
3250D	20" 511mm	1400 / 1600	1600	20°/25°	115/108
3250F	24" 601mm	1600 / 1800	1800	15°/20°	125/120
3250H	28" 708mm	1800 / 2000	2000	15°/20°	135/130

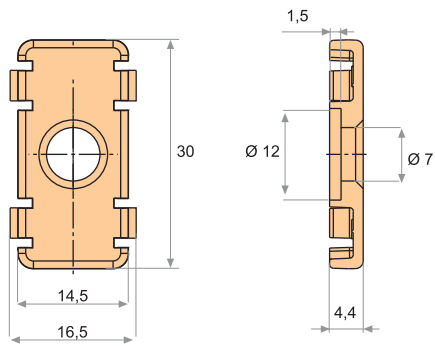


3255

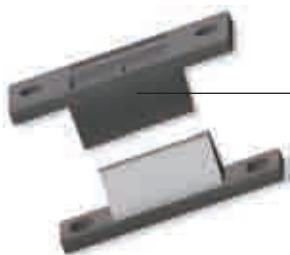
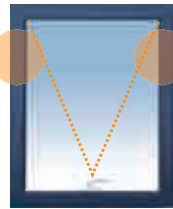
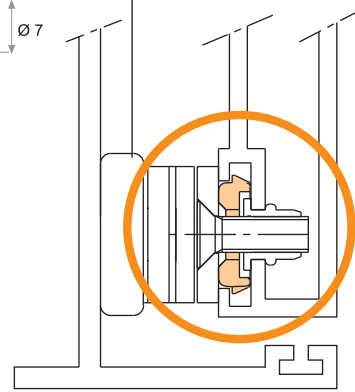




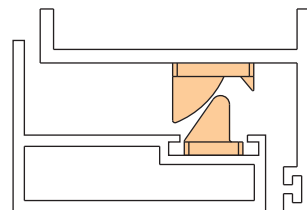
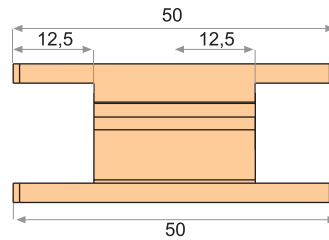
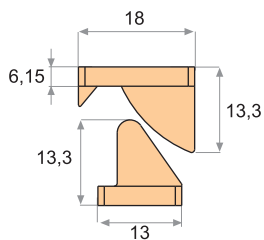
3256



3250...



3527



FP 15



1602

